

SENATOR

ELIOS

ELIOS



HIDDEN DEPTHS

Elios is a range of slender and versatile chairs that are equally at home in meeting rooms, seminar and conference facilities, training rooms or restaurants. Moving seamlessly from one area to another in any location, this high density stacking chair is light both visually and physically. Elios can

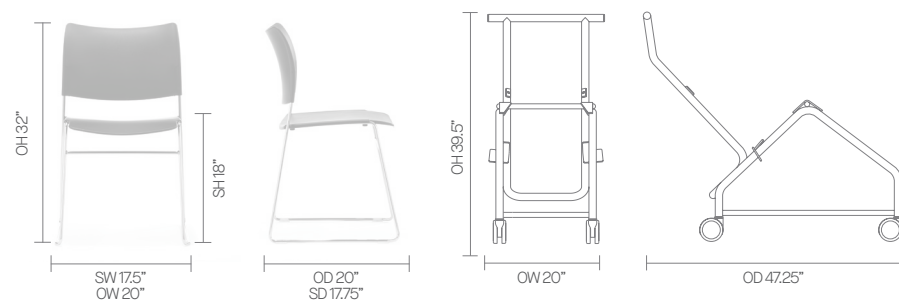
achieve a stack of 40 un-upholstered chairs on its trolley, fitting comfortably through a standard doorway.

The curvaceous contoured form of both the seat and back achieve excellent comfort as well as adding to the pleasing aesthetics and

universal appeal of this design. It's the little things it does that make the difference, the way the seat and back moldings encapsulate the frame, the way the arm cantilevers from the back and the detachable writing tablet to name a few.

DIMENSIONS

OH-Overall Height OD-Overall Depth OW-Overall Width AH-Arm Height BH-Back Height SH-Seat Height SW-Seat Width SD-Seat Depth



ELIOS

STANDARD FEATURES (*Selected models only)

- Stacks up to 40 high on a trolley*
- Wire frame
- Plastic back*
- Plastic seat*

OPTIONAL FEATURES

- Plastic glides or plastic glides with felt
- Plastic glides with linking
- Under seat retractable linking
- Writing tablet (LH/RH)
- Prayer book holder (LH)
- Banqueting cover*
- Chair trolley (enables stacking for up to 40 chairs)
- Choice of finish option available

* Click to see finishes page

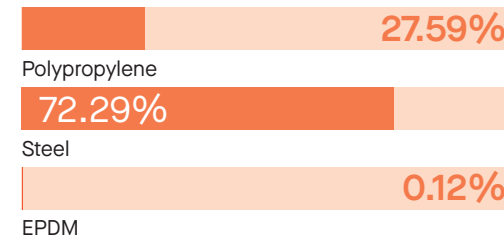
PERFORMANCE STANDARDS

- ANSI/BIFMA x 5.1 x2002
- SCS-EC10.3-2014 v. 4.0 Indoor Advantage Gold



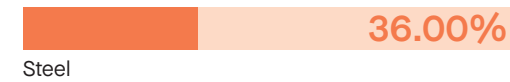
MATERIAL CONTENT

Components are constructed of the following



RECYCLED CONTENT

Contains up to 36.00% of Recycled Material



RECYCLABILITY

The range is 99% recyclable



Environmental information for this range has been based on HD405. For more detail please refer to individual EPA sheets.



DESIGN

Senator

Our team of talented in house designers are responsible for creating elegant, innovative furniture designs which not only look beautiful, but minimise the impact on the world around us.

They come from all over the world, but are based in our Design Center located in a quiet Lancashire village just outside the Ribble Valley. Our dedicated facility is over three floors which include studios, a materials test center and prototyping lab.

ELIOS

OPTIONS

A stacking chair with a wire fame base, available with a plastic seat and back.



AT A GLANCE

1. Seat and back in a choice of Plastic colors
2. Detachable writing tablet
3. Linking
4. Under seat stacking buffers
5. High density stacking frame
6. Optional glides for variety of floor types



GOOD TO KNOW
Stacks 40 high on a trolley that can fit through a standard door with a range of demountable accessories.



Please note: Features are model dependent, please refer to price list pages when specifying

ELIOS

FINISH OPTIONS

- Wire frame available in Polished Chrome
 - Molded plastic seat and back are available in Black or Gray
 - Choice of finish option available
- * Click to see finishes page

FRAME FINISHES

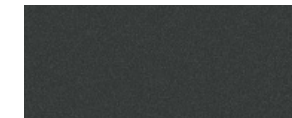


Polished Chrome

PLASTIC SEAT AND BACK FINISHES



Black



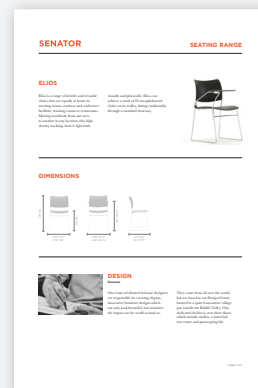
Gray

WANT TO KNOW MORE?

Our literature is available to download from our resource section on our website. For training notes, you can contact usmarketing@thesenatorgroup.com or call +1 (419) 887 5806

A full range overview and the following resources are available on each product page of our website.

For quick inspiration and all the latest news, follow us on social @senator_social.



Specification Sheet



Symbols



Environmental Data



Images (High Res)

ELIOS

- Standard feature
 - ☐ Not available
- Optional feature

	HD405 Chair Plastic Back/Seat No arms	HD410 Chair Upholstered Back/Seat No arms	HDTROLLEY Mobile Trolley
Weight	20lbs	20lbs	☐
Stacks	12 high	12 high	☐
Stacks with Trolley	40 high	40 high	☐
Wire frame in Polished Chrome	●	●	☐
Plastic back in Black	●	●	☐
Plastic seat in Black	●	●	☐
Plastic glides in Black	●	●	☐
Large swivel casters in Black	☐	☐	●
Steel construction finished in Black powder coat	☐	☐	●
<i>Plastic seat available in Gray</i>	+ \$0	+ \$0	☐
<i>Plastic back available in Gray</i>	+ \$0	+ \$0	☐
<i>Plastic glides available with felt</i>	+ \$25	+ \$25	☐
<i>Plastic linking glides</i>	+ \$22	+ \$22	☐
<i>Under seat retractable linking</i>	+ \$60	+ \$60	☐
<i>Writing tablet (LH/RH) (does not stack with tablet)</i>	+ \$280	+ \$280	☐

- * Click here to see available Finishes.
- * Click here to see available Fabrics.

Ships Fully Assembled

Elios Glide Options

- Plastic glides are available as standard
- Plastic glides with felt are an up-charge of \$25 per chair
- Plastic glides linking are an up-charge of \$22 per chair



Plastic glides (standard)



Plastic glides with felt

ELIOS

Fabric Grade	Plastic	0	1	2	3	4	5	6	7	8	9	A	B	COM	COL
HD405 • Plastic seat & back • No arms	307	-	-	-	-	-	-	-	-	-	-	-	-	-	-
HD410 • Upholstered seat & plastic back • No arms	-	374	388	401	418	439	458	479	496	537	616	-	-	388	-
HDTROLLEY • Mobile trolley	3,155	-	-	-	-	-	-	-	-	-	-	-	-	-	-

A, B = Leather

COM = Customers own Material (yds)

COL = Customers own Leather (sq ft.)

All prices listed in US \$



To specify your chair...

1. Check the Standard Features and Finishes and select the Model you require
2. Select any Optional Extras or Alternative Finishes you require and add on any extra costs as shown per chair
3. You now have the total cost and specification for Your Chair

When ordering, please ensure that you send us all this information, so we can correctly fulfil your requirements.