

CHEMISTRY CANOPY

A welcome addition to Senator's Chemistry range is Chemistry Canopy. Canopy's soft and open design creates an inviting work area that has the correct balance of privacy, without a feeling of isolation.

A complement to Chemistry desking, Canopy's fabric covered panels with optional tech knit pockets can be used to pin and store inspirational materials. A magnetic whiteboard board both inside and outside makes clever use of the space.

CHEMISTRY CANOPY

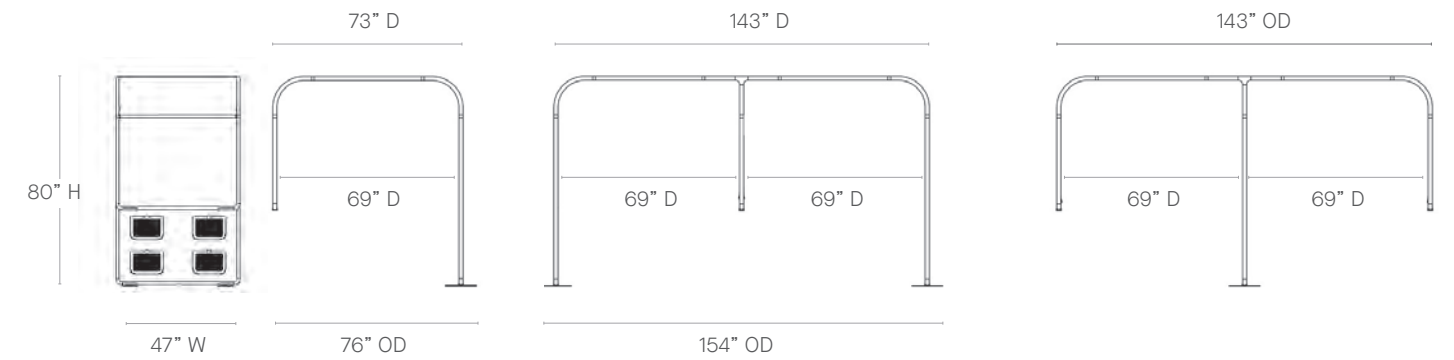
STANDARD FEATURES

- Extruded Aluminum rails
- Cast Aluminum connection joints
- Steel stabilizing feet
- Fabric wrapped acoustic panels
- Magnetic whiteboard panel (dual sided)
- Luminated light with surface mounted switch
- Modular retro fittable design

SPECIFIABLE FEATURES

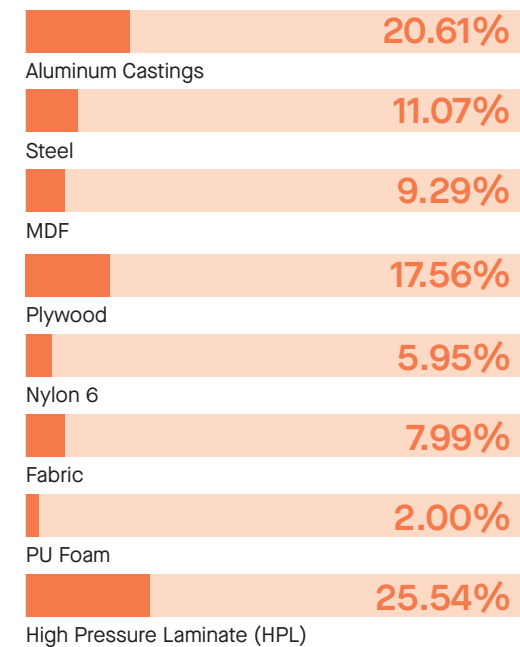
- Single Canopy
- Double Canopy
- Back to back Canopy
- Tech knit stretch pockets for storage

DIMENSIONS



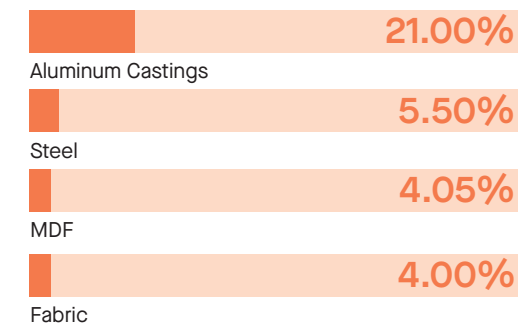
MATERIAL CONTENT

Components are constructed of the following



RECYCLED CONTENT

Contains up to 34.55% of Recycled Material



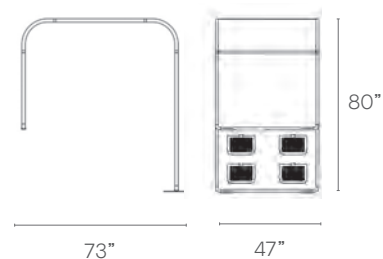
RECYCLABILITY

The range is 99% recyclable

99%

CHEMISTRY CANOPY

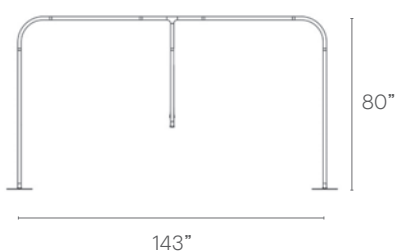
Single Canopy
47" Width



Depth (in)	73"
80" H	●

Desk Sold Separately

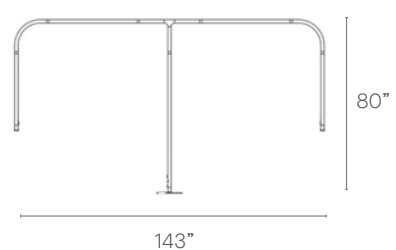
Double Canopy
47" Width



Depth (in)	143"
80" H	●

Desk Sold Separately

Back to Back Canopy
47" Width



Depth (in)	143"
80" H	●

Desk Sold Separately

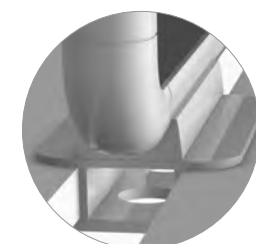
CHEMISTRY CANOPY

Chemistry Canopy is a new addition to the Chemistry range, designed to be an acoustic setting for open office spaces for quiet working or interactive meetings.



Features

Mounting brackets



Modular fixing to the desk.

Lighting



Canopy features plug and play lighting with easily accessible surface mounted switch.

Magnetic whiteboard



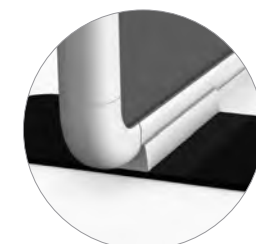
Magnetic whiteboard on both faces.

Acoustic panels



Canopy's panels are designed to effectively absorb sound and provide sound insulation, creating an environment that promotes quiet work in an open plan office.

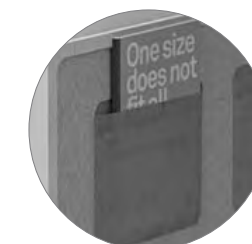
Foot plate



Stabilizing 4" steel plate feet provide rigid stability.

Options

Storage pockets

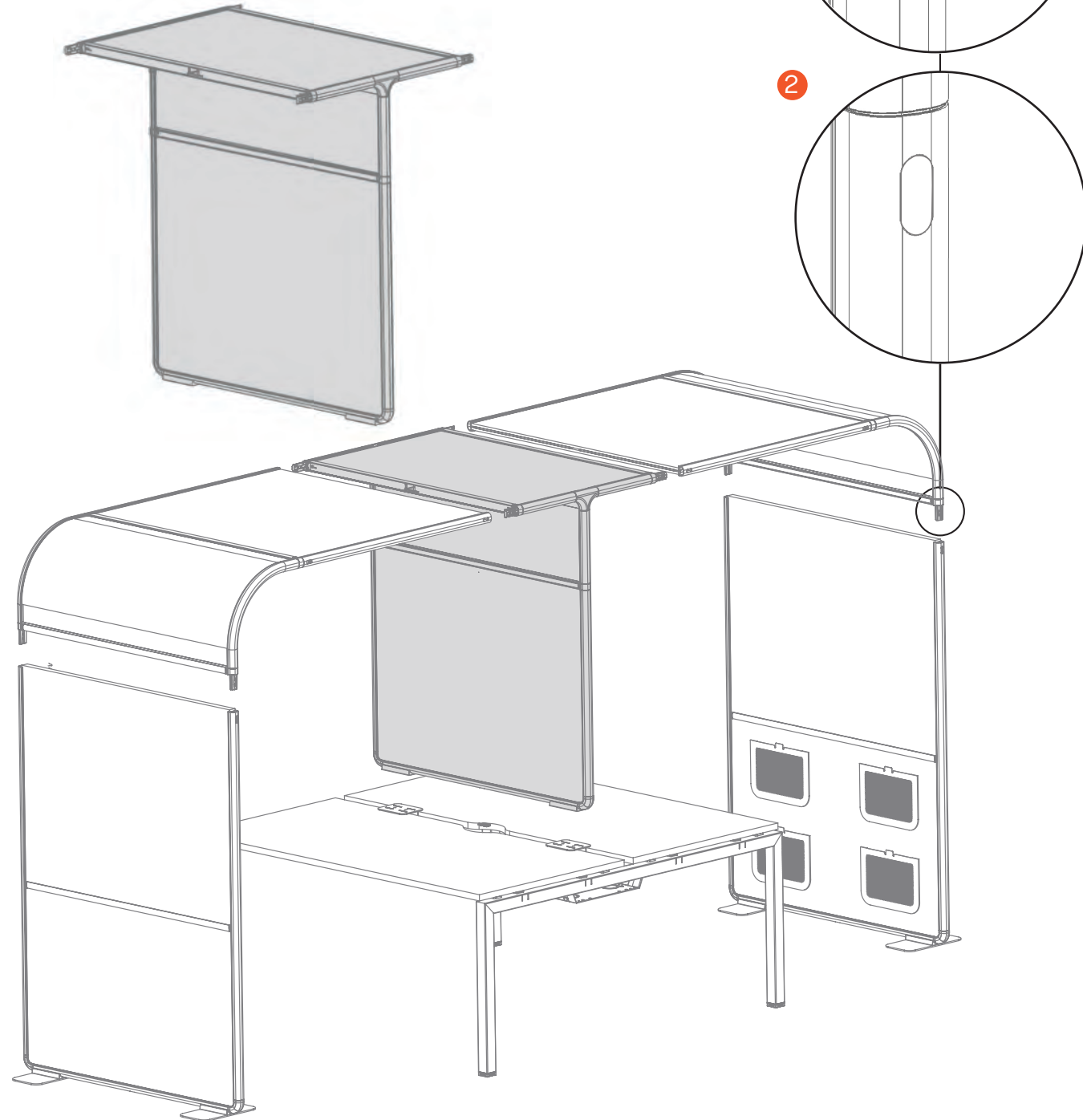


Stretch tech knit pockets for storage
CPY01 is supplied with 4 pockets
CPY02/03 are supplied with 8 pockets

CHEMISTRY CANOPY – Construction

Chemistry Canopy consists of several sub-frames. Each sub-frame is delivered pre-assembled for ease of installation.

Chemistry Canopy sub-frames can be dropped into place and locked in position using bolts provided. Push fit molded caps are supplied to cover the fixtures and fittings.



CHEMISTRY CANOPY

			Dimensions	Price	
CPY01 • Single Canopy	SEE NOTES 1 & 2		47" Width 73" Depth 80" Height	11,067 11,668	Without Pockets With Pockets
CPY02 • Double Canopy	SEE NOTES 1 & 3		47" Width 143" Depth 80" Height	19,748 20,934	Without Pockets With Pockets
CPY03 • Back to Back Canopy	SEE NOTES 1 & 3		47" Width 143" Depth 80" Height	17,923 19,112	Without Pockets With Pockets

Note 1: Upholstered in Camira Blazer / Synergy

Note 2: Can be assembled to a single desk or back to back bench

Note 3: Can be assembled to a back to back bench only

Note 4: Desk sold separately

All prices listed in USD \$

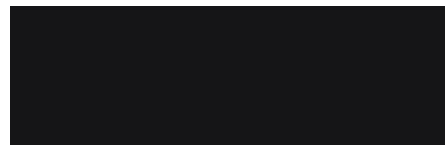
Finishes & Features Available...

Frame Colors	White Black
Fabrics	Camira Blazer Camira Synergy
Tech Knit Pockets	With or without pockets
Tech Knit Pocket Colors	Gray

When ordering please ensure that you send us all this information so we can correctly fulfill your requirements.

CHEMISTRY CANOPY FINISHES

FRAME / LEG FINISHES



Black

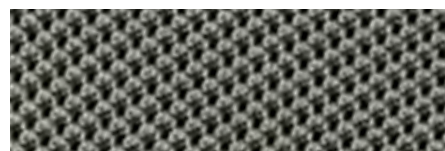


White

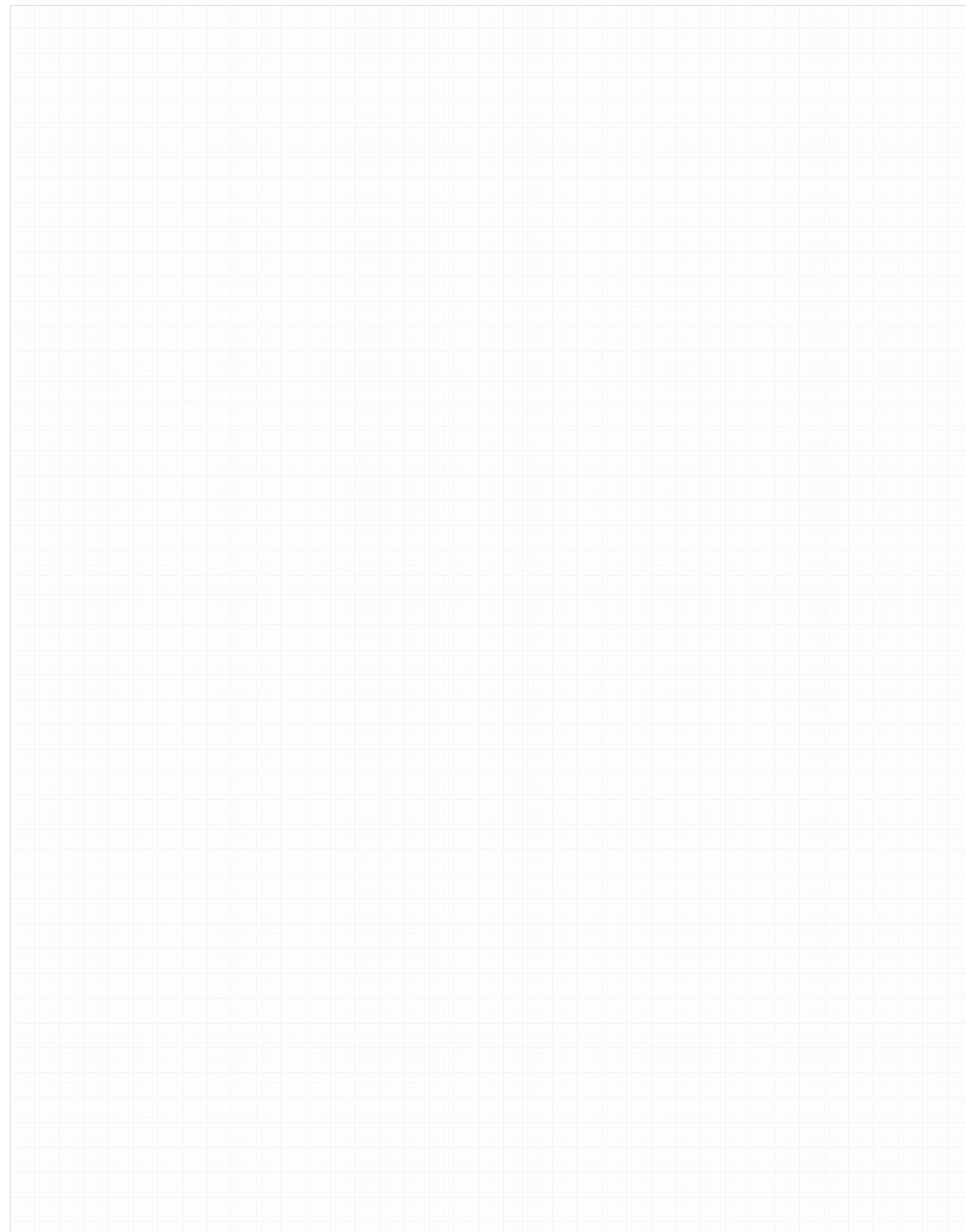


Platinum

TECH KNIT POCKET COLORS



Gray



Color images above are for reference only. Please verify with actual color sample.