

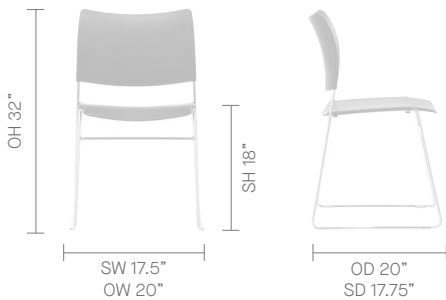
ELIOS

Elios is a range of slender and versatile chairs that are equally at home in meeting rooms, seminar and conference facilities, training rooms or restaurants. Moving seamlessly from one area to another in any location, this high density

stacking chair is light both visually and physically. Elios can achieve a stack of 40 chairs on its trolley, fitting comfortably through a standard doorway.



DIMENSIONS



DESIGN

Senator

Our team of talented in house designers are responsible for creating elegant, innovative furniture designs which not only look beautiful, but minimise the impact on the world around us.

They come from all over the world, but are based in our Design Center located in a quiet Lancashire village just outside the Ribble Valley. Our dedicated facility is over three floors which include studios, a materials test center and prototyping lab.

STANDARD FEATURES

(*Selected models only)

- Stacks up to 40 high on a trolley*
- Stacks up to 12 high without trolley
- Wire frame
- Plastic seat / back*
- Upholstered seat*
- Under seat stacking shroud

OPTIONAL FEATURES

- Plastic glides or plastic glides with felt
- Plastic glides with linking
- Under seat retractable linking
- Writing tablet (LH/RH)
- Prater book holder (LH)
- Banqueting cover*
- Chair Trolley (enables stacking up to 40 non-upholstered chairs)*
- Tablet Trolley (holds 30 tablers LH or RH)
- Multiple Fabrics

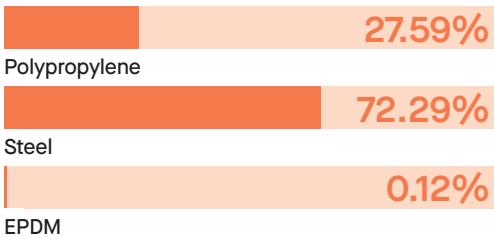
- Choice of finish options available (See finish page)

PERFORMANCE STANDARDS

- EN13761:2002-4
- ANSI/BIFMA X5.1:2011
- EN14703:2007
- EN14373:2007-L2
- GS Certificate
- SCS-EC10.2-2007 Indoor Air Quality

MATERIAL CONTENT

Components are constructed of the following



RECYCLED CONTENT

Contains up to 36.00% of Recycled Material



RECYCLABILITY

The range is 99% recyclable

99%

SENATOR 3 R'S

Senator is committed to continually improving the sustainability of all environmental aspects within our business.

To meet both international standards and our own environmental targets we apply the three R's principle

-Reduce, Reuse and Recycle.

While recycling is the element which receives the most exposure it is actually the last option available and should never be the prime target in anyone's battle to reduce waste.

It is our duty as individuals and as a company to initially attempt to **Reduce** usage. Then we should look to **Reuse** wherever possible and finally, only after these two processes have been exhausted, should we consider **Recycling**.

REDUCE REUSE RECYCLE

FINISH OPTIONS

Wire frame available in Polished Chrome

Molded Plastic seat and back are available in Black, or Gray

Please refer to individual price list pages for full specification options.

WIRE FRAME FINISH

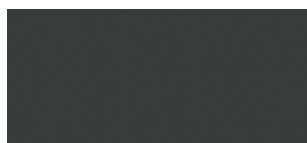


Polished Chrome

PLASTIC SEAT AND BACK FINISHES



Black (Plastic)



Gray (Plastic)