

Mote

SENATOR



Introducing Mote.

Mote responds to the demands of dynamic work environments; versatile, reconfigurable spaces for meeting, learning, focusing, or relaxing. No detail is an afterthought with every inch having been given careful consideration to reclaim redundant space.

Meet at casual and open Mote configurations that use sofas and ottomans, or Retreat to more private and peaceful settings by erecting screens and canopies.





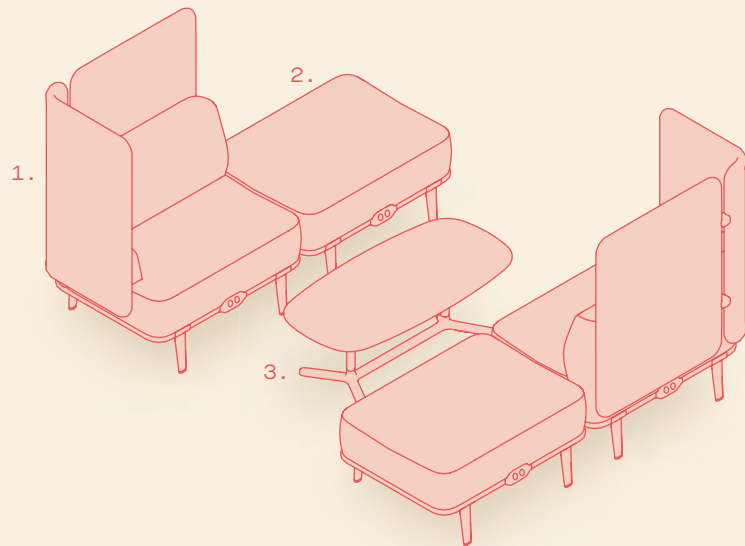
Meet.

Whether you need somewhere to break out, meet up with your team or have a quick catch up, Mote can be configured in infinite ways to suit your size, space and needs.



Example 1.

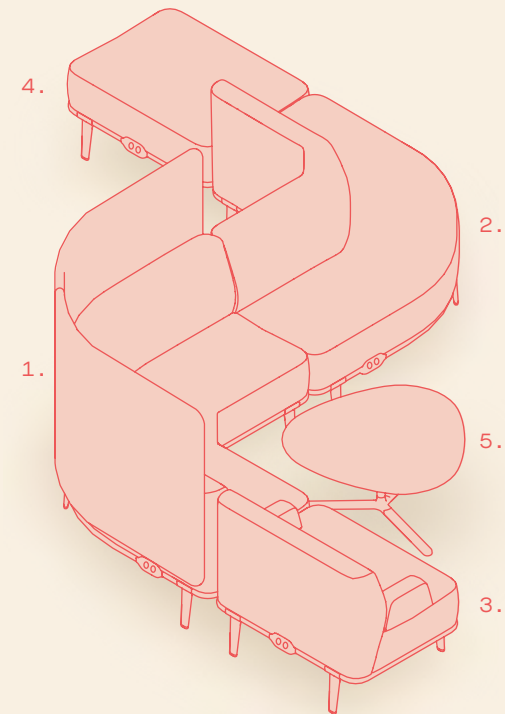
This small configuration provides the right mix of privacy and freedom by utilising screens and ottomans.



1. MTE-BCSL01
2. MTE-OT01
3. TAL22SR

Example 2.

A statement configuration that allows for a mixture of formal and impromptu meetings.

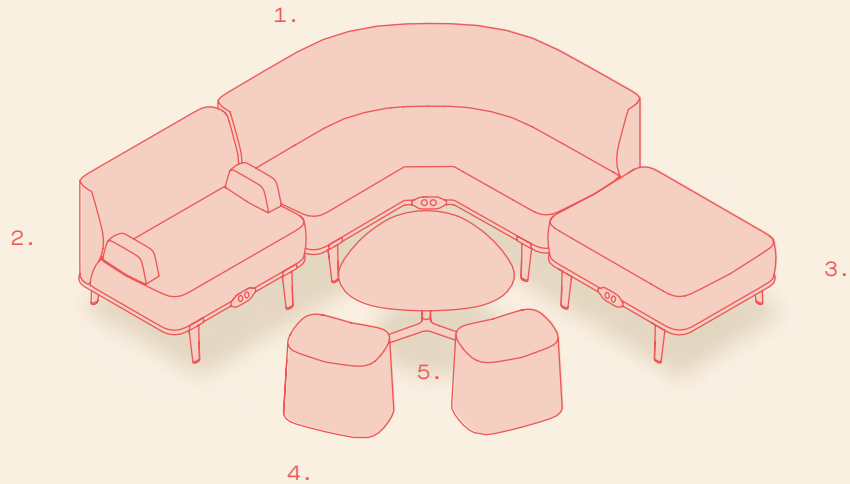


1. MTE-BSS90
2. MTE-SF270
3. MTE-SF01
4. MTE-OT01
5. TAL21LST

Visit
Senator.Online
and configure
your Mote now.

Example 3.

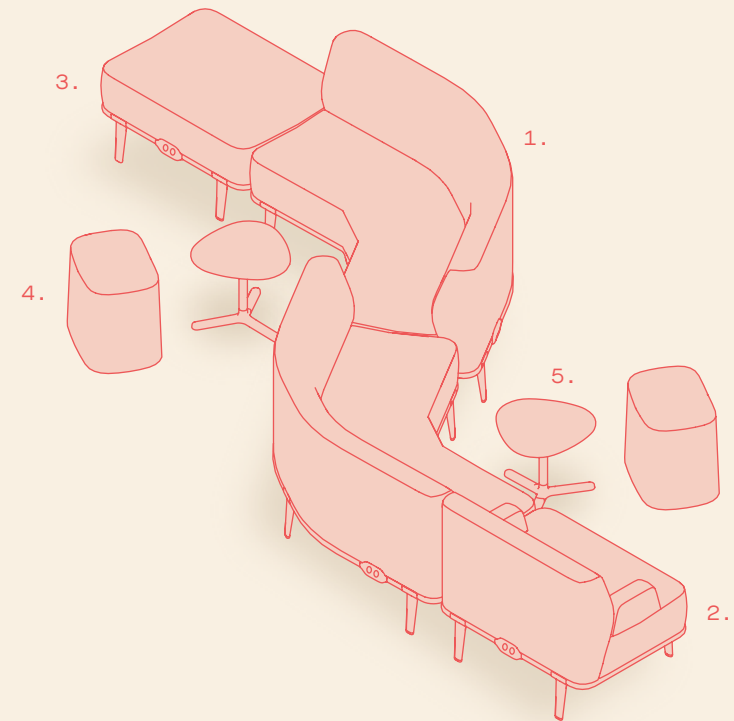
This setup encourages users to be open to conversation and informal meetings by utilising portable stools and casual ottomans



- 1. MTE-SF90
- 2. MTE-SF01
- 3. MTE-OT01
- 4. MTE-FST
- 5. TAL21LST

Example 4.

Another statement configuration that uses both sides of the sofas to feel approachable from any angle

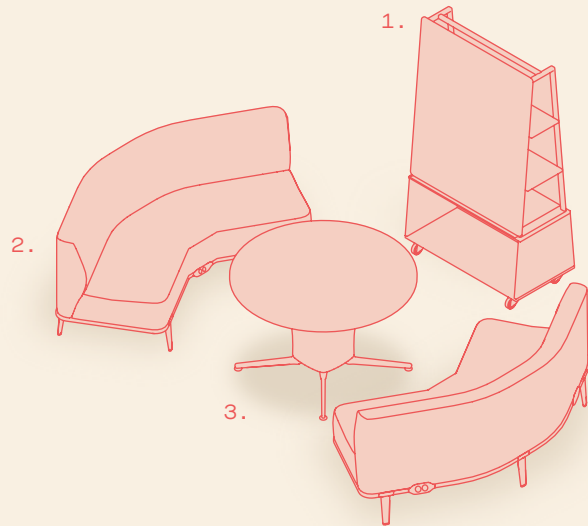


- 1. MTE-SF120
- 2. MTE-SF01
- 3. MTE-OT01
- 4. MTE-FST
- 5. TAL21LST

Visit
Senator.Online
and configure
your Mote now.

Example 5.

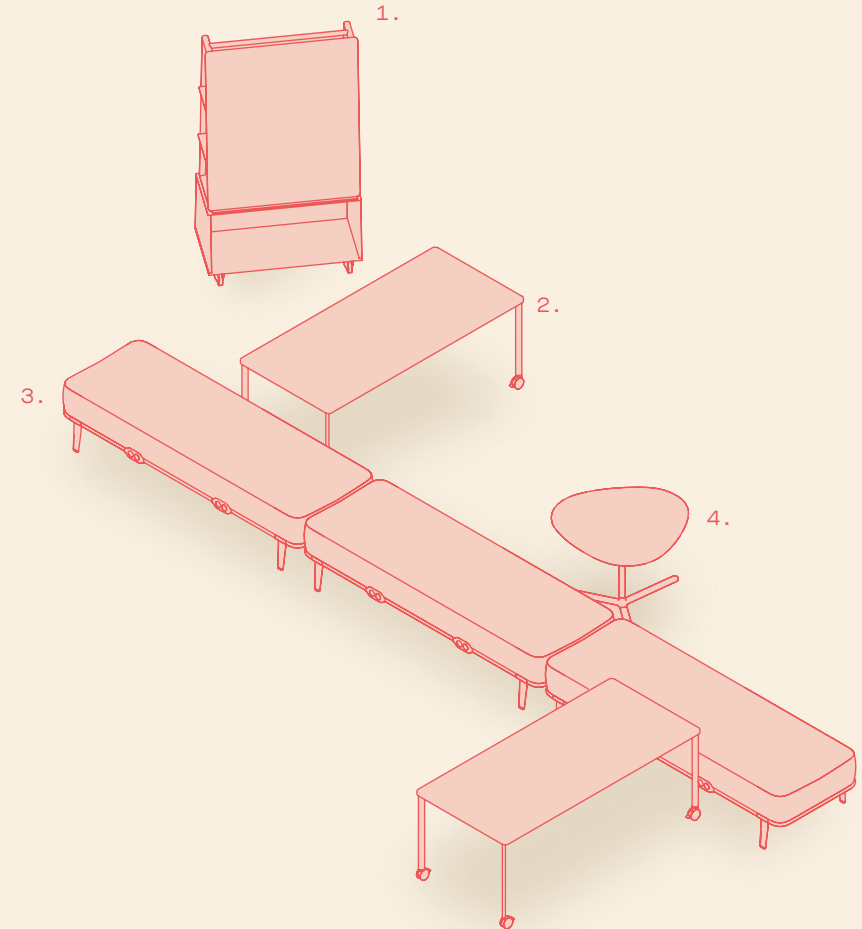
An open configuration that allows a group to easily brainstorm and work together.



- 1. PYPMPUDW
- 2. MTE-SF120
- 3. Ad-Lib Table

Example 6.

A simple setting that allows users to dock a casual and adaptable workspace.



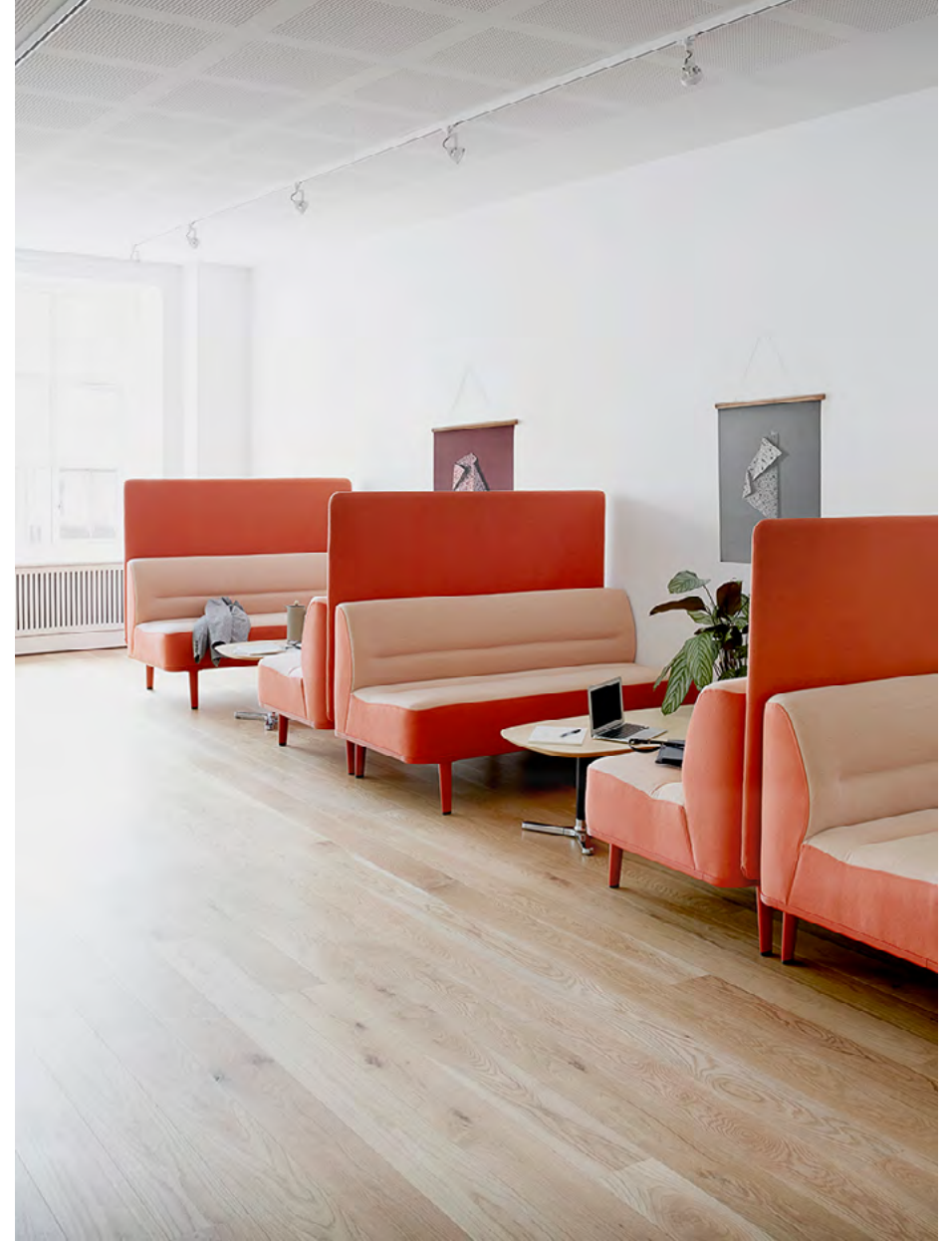
- 1. PYPMPUDW
- 2. PYPT0616RC
- 3. MTE-OT03
- 4. TAL21SST

Visit
Senator.Online
and configure
your Mote now.



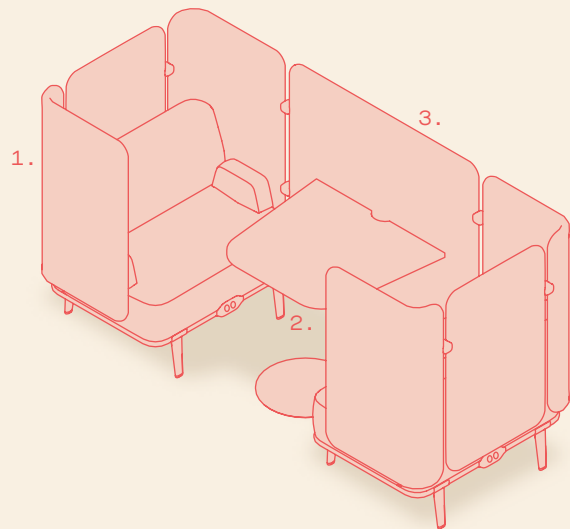
Retreat.

Sometimes we need a break from the bustle of a busy office. Mote uses additional screens and canopies to give you, your team and your conversations some privacy.



Example 1.

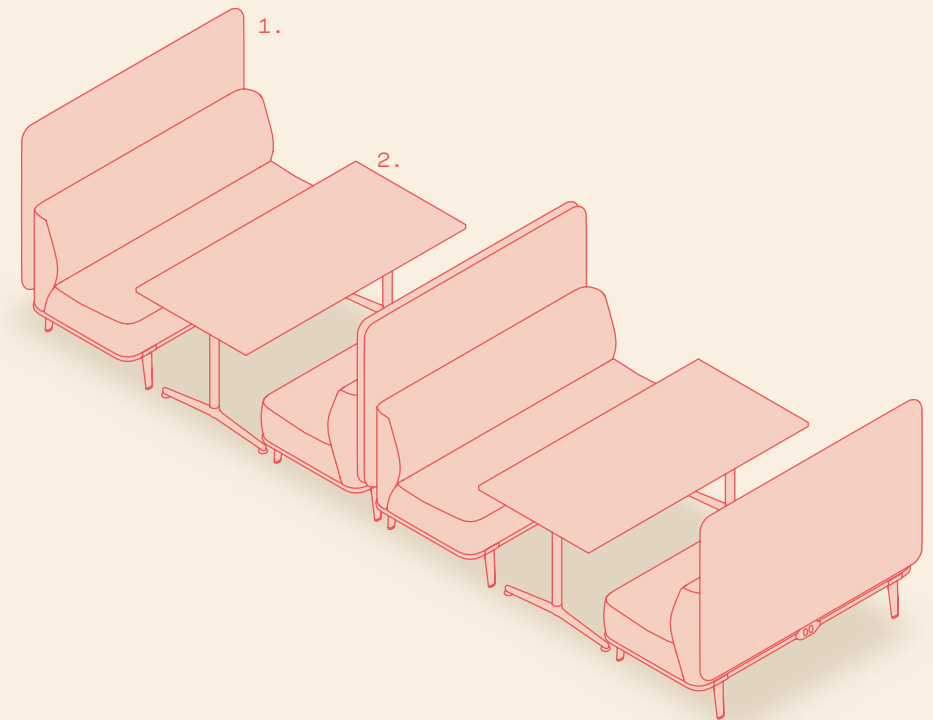
A small setup which allows users to have a private catchup or meeting.



- 1. MTE-BSF01
- 2. MTE-MEDTB11
- 3. MTE-MED01

Example 2.

An efficient and clean set up designed to create spaces for informal breakouts and dining.

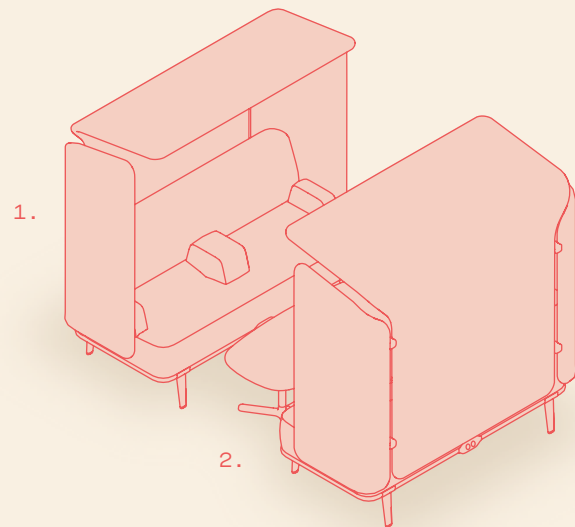


- 1. MTE-BSS90
- 2. ALP1608RC

Visit
Senator.Online
and configure
your Mote now.

Example 3.

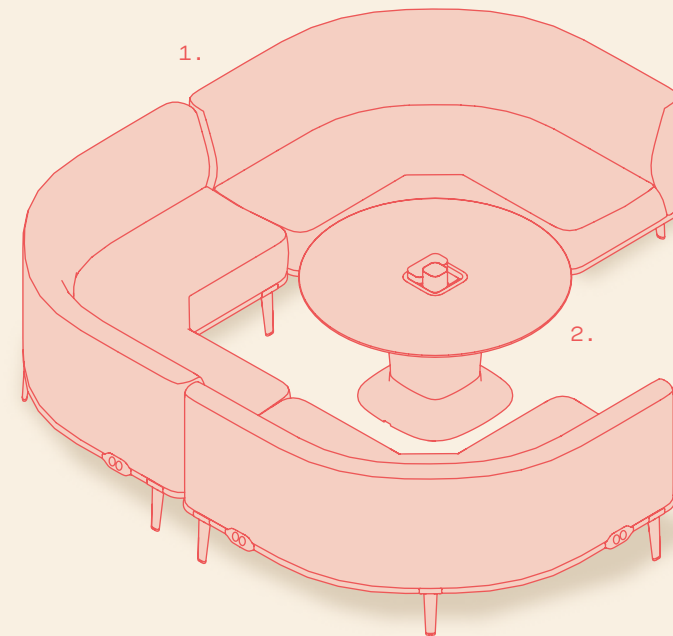
Large, overhead canopies help to add even more peace and quiet to your retreat.



- 1. MTE-BSF20C
- 2. TAL22SR

Example 4.

This large configuration allows teams to work together in privacy, utilising the ninety degree Mote sofas.

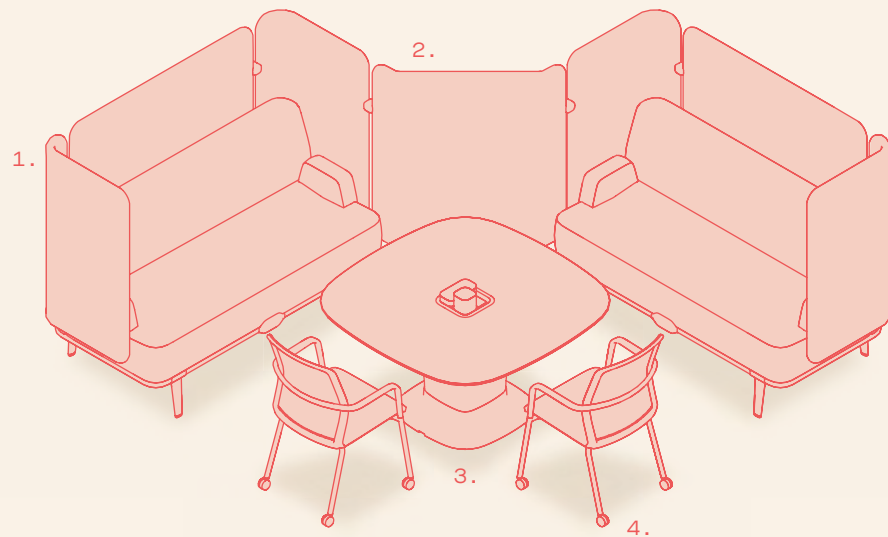


- 1. MTE-BSF90
- 2. ALP-15RDB

Visit
Senator.Online
and configure
your Mote now.

Example 5.

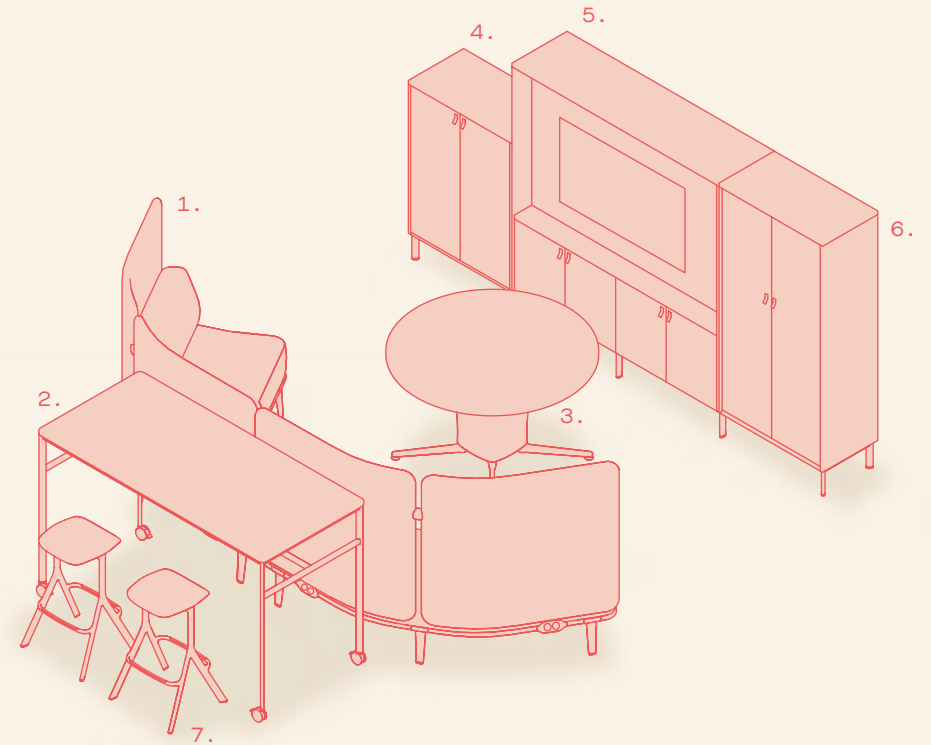
A hybrid setup of screened Mote sofas and agile Circo chairs, allowing for private ad-hoc meetings .



1. MTE-BSF02
2. MTE-BR90
3. FMGMT-1212
4. CR7

Example 6.

A media focused layout that allows users to present, relax and analyse using the private Mote sofa and Play Media Unit.



1. MTE-SF120
2. PYPT0616RCH
3. ALP15RD
4. PYP12-8-DR
5. PYP18-16-MU
6. PYP18-8-DR
7. AXL04

Visit
Senator.Online
and configure
your Mote now.

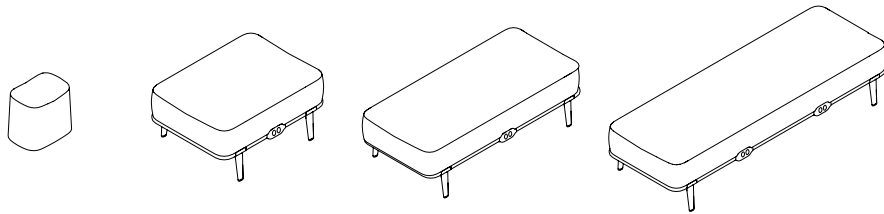


Ellsworth Kelly

Mote Dimensions

Below is the dimensions of each Mote product so that you can ensure your unique setting is a perfect fit.

Ottomans

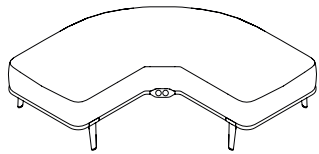


MTE-FST
OH 470mm
OW 555mm
OD 385mm

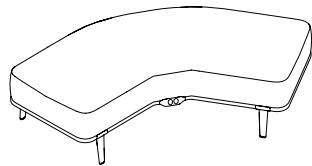
MTE-OT01
OH 470mm
OW 1000mm
OD 730mm

MTE-OT02
OH 470mm
OW 1600mm
OD 730mm

MTE-OT03
OH 470mm
OW 2200mm
OD 730mm

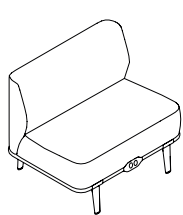


MTE-OT90
OH 470mm
OW 2040mm
OD 1160mm

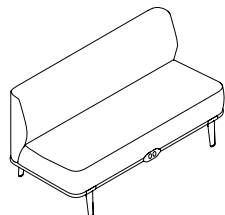


MTE-OT120
OH 470mm
OW 2130mm
OD 1030mm

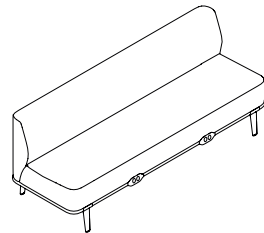
Sofas



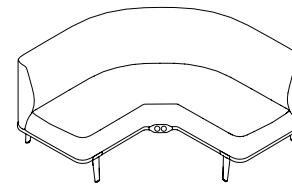
MTE-SF01
OH 835mm
OW 1000mm
OD 730mm



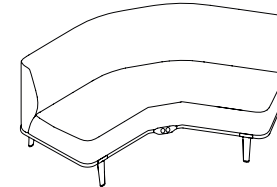
MTE-SF02
OH 835mm
OW 1600mm
OD 730mm



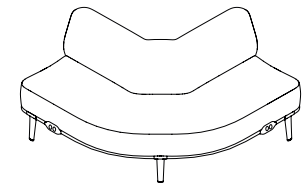
MTE-SF03
OH 835mm
OW 2200mm
OD 730mm



MTE-SF90
OH 835mm
OW 2040mm
OD 1160mm

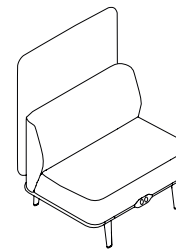


MTE-SF120
OH 835mm
OW 2130mm
OD 1030mm

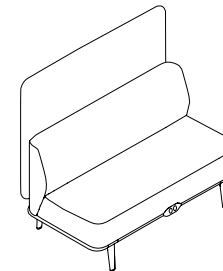


MTE-SF270
OH 835mm
OW 2130mm
OD 1030mm

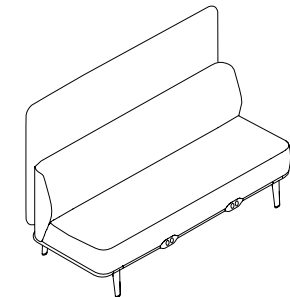
Rear Screens



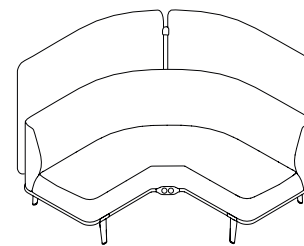
MTE-BSS01
OH 1310mm
OW 2040mm
OD 1160mm



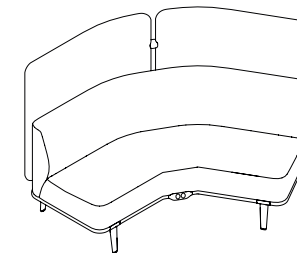
MTE-BSS02
OH 1310mm
OW 2040mm
OD 1160mm



MTE-BSS03
OH 1310mm
OW 2040mm
OD 1160mm

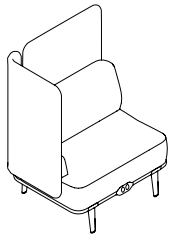


MTE-BSS90
OH 835mm
OW 2130mm
OD 1030mm

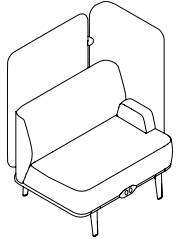


MTE-BSS120
OH 835mm
OW 2130mm
OD 1030mm

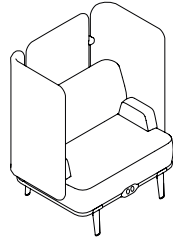
Rear and Side Screens



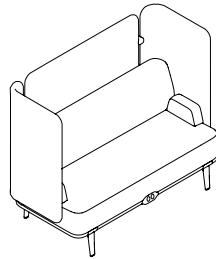
MTE-BCSR01
OH 1310mm
OW 1090mm
OD 775mm



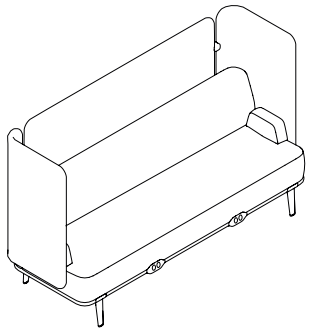
MTE-BCSL01
OH 1310mm
OW 1090mm
OD 775mm



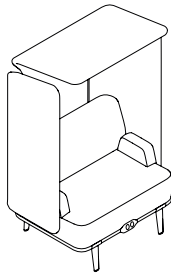
MTE-BSF01
OH 1310mm
OW 1090mm
OD 775mm



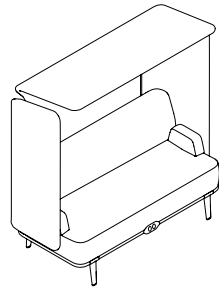
MTE-BSF2
OH 1310mm
OW 1690mm
OD 775mm



MTE-BSF03
OH 835mm
OW 2260mm
OD 775mm

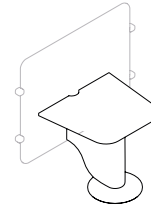


MTE-BSF10C
OH 835mm
OW 2260mm
OD 775mm

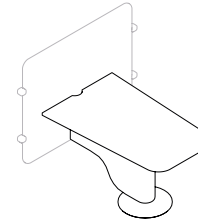


MTE-BSF20C
OH 835mm
OW 2260mm
OD 775mm

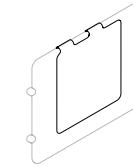
Tables and Accessories



MTE-MEDTB11
OH 750mm
OW 850mm
OD 750mm

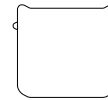


MTE-MEDTB12
OH 750mm
OW 850mm
OD 1350mm

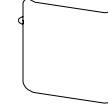


MTE-WB
OH 740mm
OW 650mm
OD 50mm

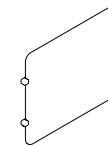
Bridge Screens and Media Panels



MTE-BR00
OH 1030mm
OW 1020mm
OD 75mm



MTE-BR120
OH 1030mm
OW 1020mm
OD 75mm

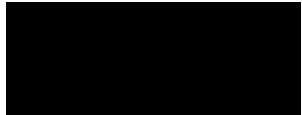


MTE-MED01
OH 1030mm
OW 1020mm
OD 50mm

Finishes

The Mote range comes in a wide range of finishes that are certain to fit your space.

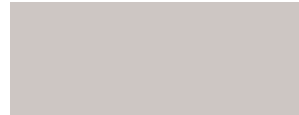
Standard Metal Frame Finishes



Black



Flint Grey



Mineral Sand



Mellow Yellow

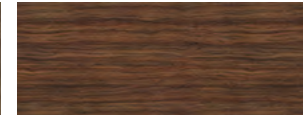


Orange Crush

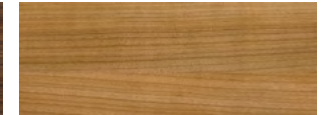
Table Finishes



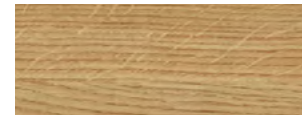
Carini Walnut



Mocha



Autumn



Strata Oak



Maple



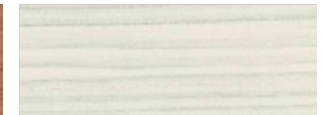
Highland Oak



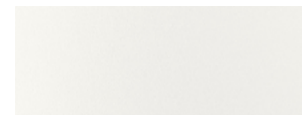
Beech



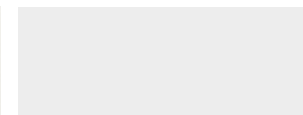
Winter Oak



Hacienda White



White



Light Grey



Denim



Lemon Sorbet



Clay

CERTIFICATION

Standard Features

- Traditional carcass construction with multi density foam
- Fully upholstered
- Cast Aluminium frame
- Plastic glides with levelling adjustment

Optional Features

- Frame fitted power units - 2 x powered
- USB/TUF and 1x power socket
- Multiple fabrics
- End arms
- Single arms - Mid
- Double arms - Intermediate

Performance Standards*

- BS EN 16139:2013 Level 1
- ANSI/BIFMA X5.4:2012

**Only applicable to Ottoman and Sofas model variants.*

ENVIRONMENTAL PERFORMANCE

Material Content

Components are constructed of the following



Plywood



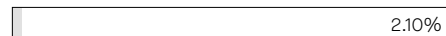
Aluminium Castings



Aluminium Extrusion



Plastic



Fabric



Polycarbonate

Recycled Content

Contains up to 17.00% of Recycled Material



Aluminium Castings



Aluminium Extrusion



Fabric

Recyclability

The range is 99% recyclable

99%

The Mote Configurator

Create endless possibilities with our new Mote configurator to go:

senator.online

